
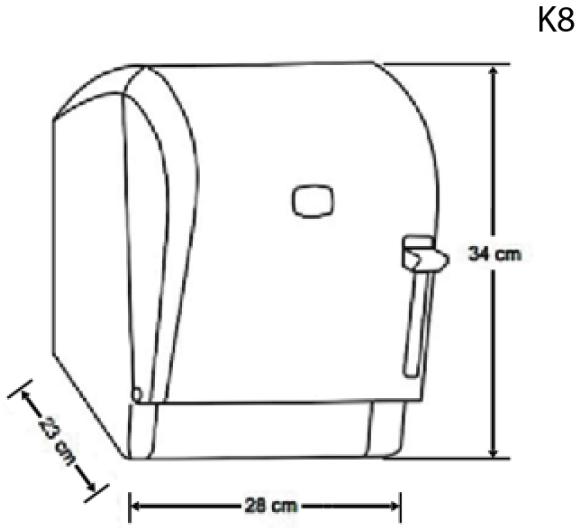
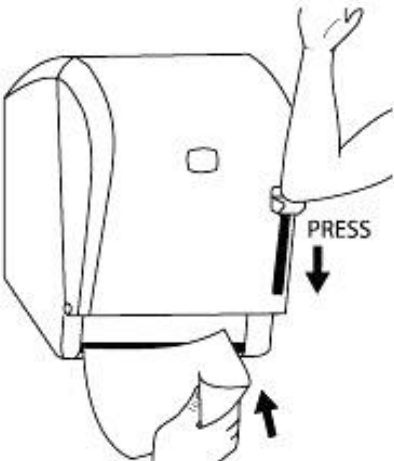
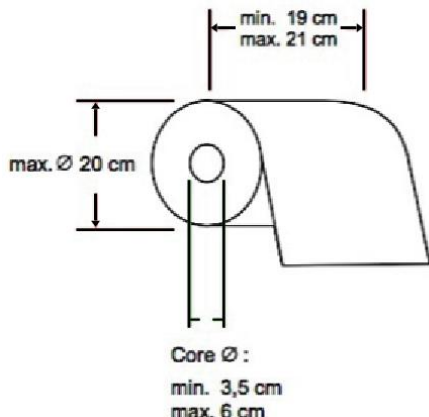


## TECHNICAL SPECIFICATIONS

APPEARANCE OF THE PRODUCT	
PHOTO	SCHEMA
	 <p>K8</p>
USING OF PRODUCT AND PROPER PAPER ROLL SPECIFICATIONS	
 <p>PRESS</p>	 <p>min. 19 cm max. 21 cm</p> <p>max. <math>\varnothing</math> 20 cm</p> <p>Core <math>\varnothing</math> : min. 3,5 cm max. 6 cm</p>
DESCRIPTIONS	
Description of Product	Levercut Roll Paper Towel Dispenser
Product Code	K8 / K8T / K8B / K8M
Color	White / Transparent / Black / Metallic
Material	ABS Plastic
Dimensions ( Height x Width x Depth in cm)	34 x 28 x 23 cm
MANUFACTURER INFORMATION	
Manufacturer	Oguzhan Plastics and Moulding Co. Ltd.
Origin	Made in Turkey

Last Update: 21.02.2020